

# CRT81

**Spare parts**

**Ersatzteile**

**Pièces détachées**

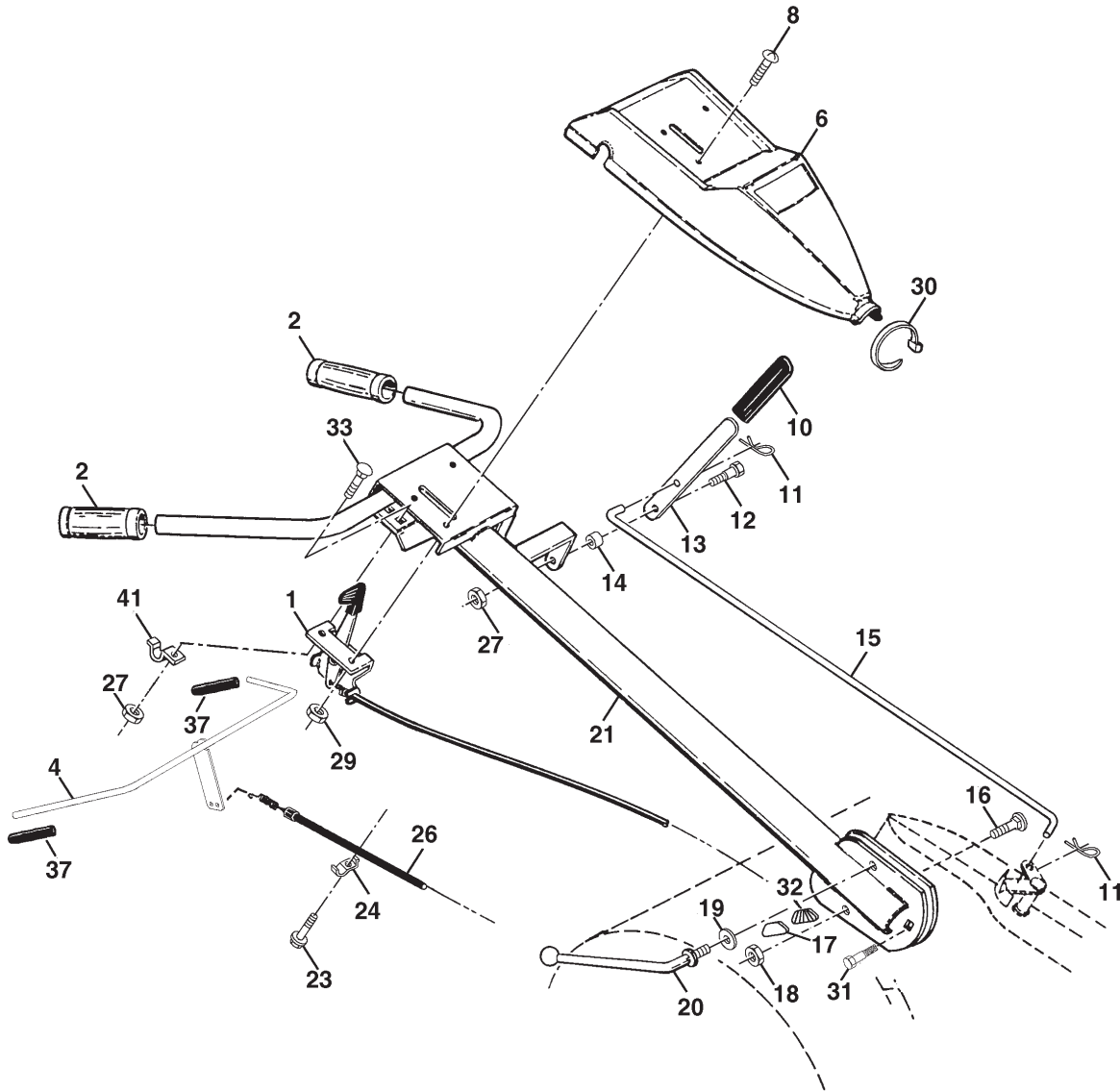
**Reserve onderdelen**

**Repuestos**

**Reservdelar**

# REPAIR PARTS

TILLER - - MODEL NUMBER CRT81 (HFCRT8F) PRODUCT NUMBER 954 17 00-54  
HANDLE ASSEMBLY

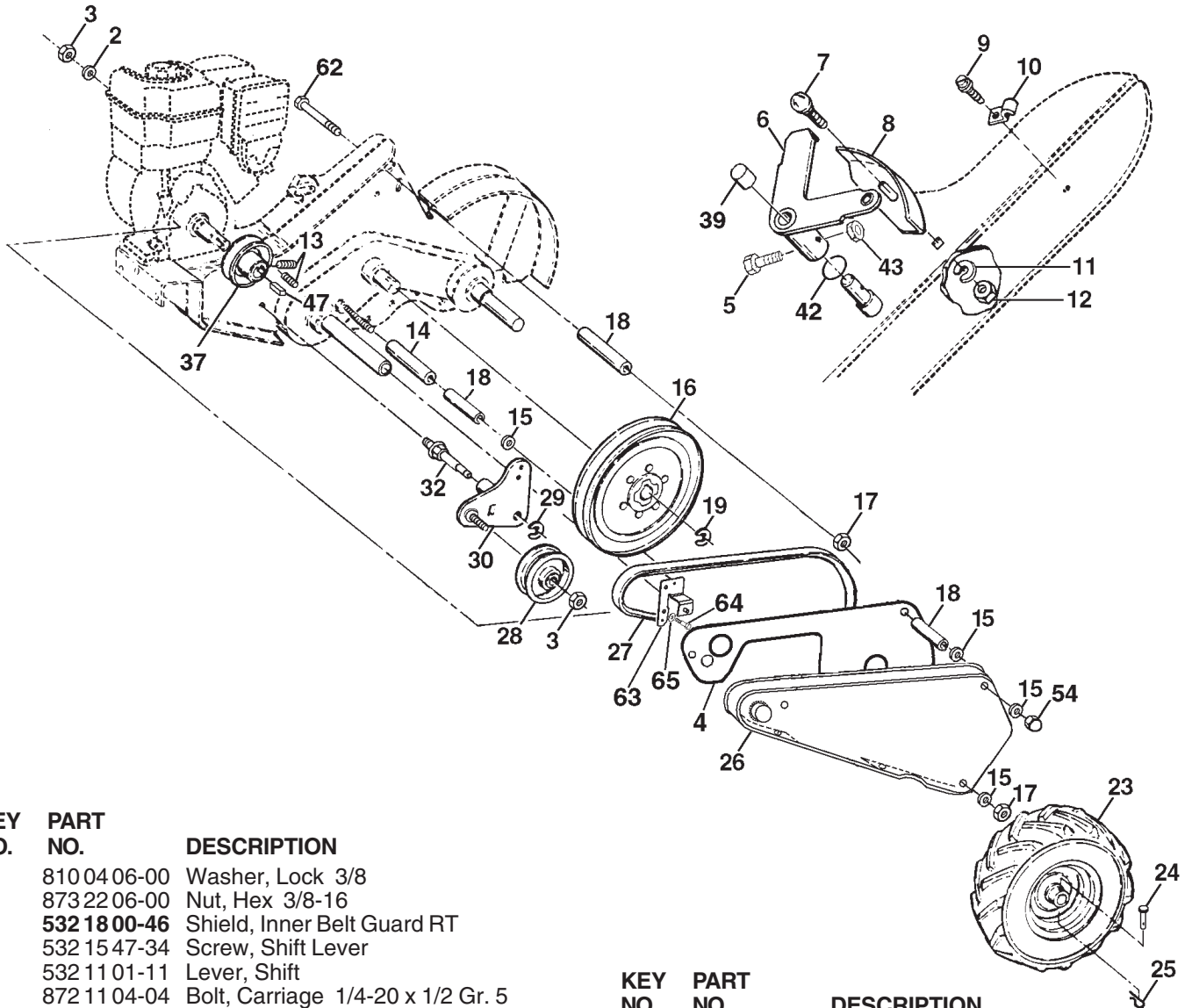


KEY NO.	PART NO.	DESCRIPTION	KEY NO.	PART NO.	DESCRIPTION
1	532 18 06-38	Control, Throttle	21	532 18 11-27	Handle
2	532 00 92-66	Grip, Handle	23	532 08 67-77	Screw, Hex Washer SLT #10-24 x .50
4	532 15 92-28	Bar Assembly, Control	24	532 00 94-84	Clip
6	532 18 06-76	Panel, Control	26	532 15 96-07	Cable, Clutch
8	871 19 10-08	Screw, Truss Hd. #10-24 Unc x 1/2	27	873 90 04-00	Nut, Hex Flange 1/4-20 UNC
10	532 12 47-97	Grip, Handle	29	873 73 10-00	Nut, Keps #10-24 UNC
11	532 12 47-88	Clip, Hairpin	30	532 10 41-64	Tie, Cable
12	532 08 13-28	Bolt, Shoulder	31	532 15 06-96	Bolt, Pivot
13	532 10 93-35	Handle, Shift	32	532 13 82-83	Lock, Handle
14	532 10 93-13	Grommet, Rubber	33	872 14 04-04	Bolt, Carriage 1/4-20 UNC x 1/2
15	532 10 93-37	Rod, Shift	37	532 10 26-04	Grip, Bar, Control
16	872 11 06-08	Bolt, Carriage 3/8-16 x 1 Gr. 5	41	532 10 27-44	Clamp, Bar, Control
17	532 10 92-29	Lock, Handle			
18	873 68 06-00	Nut, Crownlock 3/8-16 UNC			
19	819 13 16-11	Washer 13/32 x 1 x 11 Ga.			
20	532 10 92-28	Lever, Lock, Handle			

**NOTE:** All component dimensions given in U.S. inches.  
1 inch = 25.4 mm

# REPAIR PARTS

TILLER - - MODEL NUMBER CRT81 (HFCRT8F) PRODUCT NUMBER 954 17 00-54  
MAINFRAME, LEFT SIDE



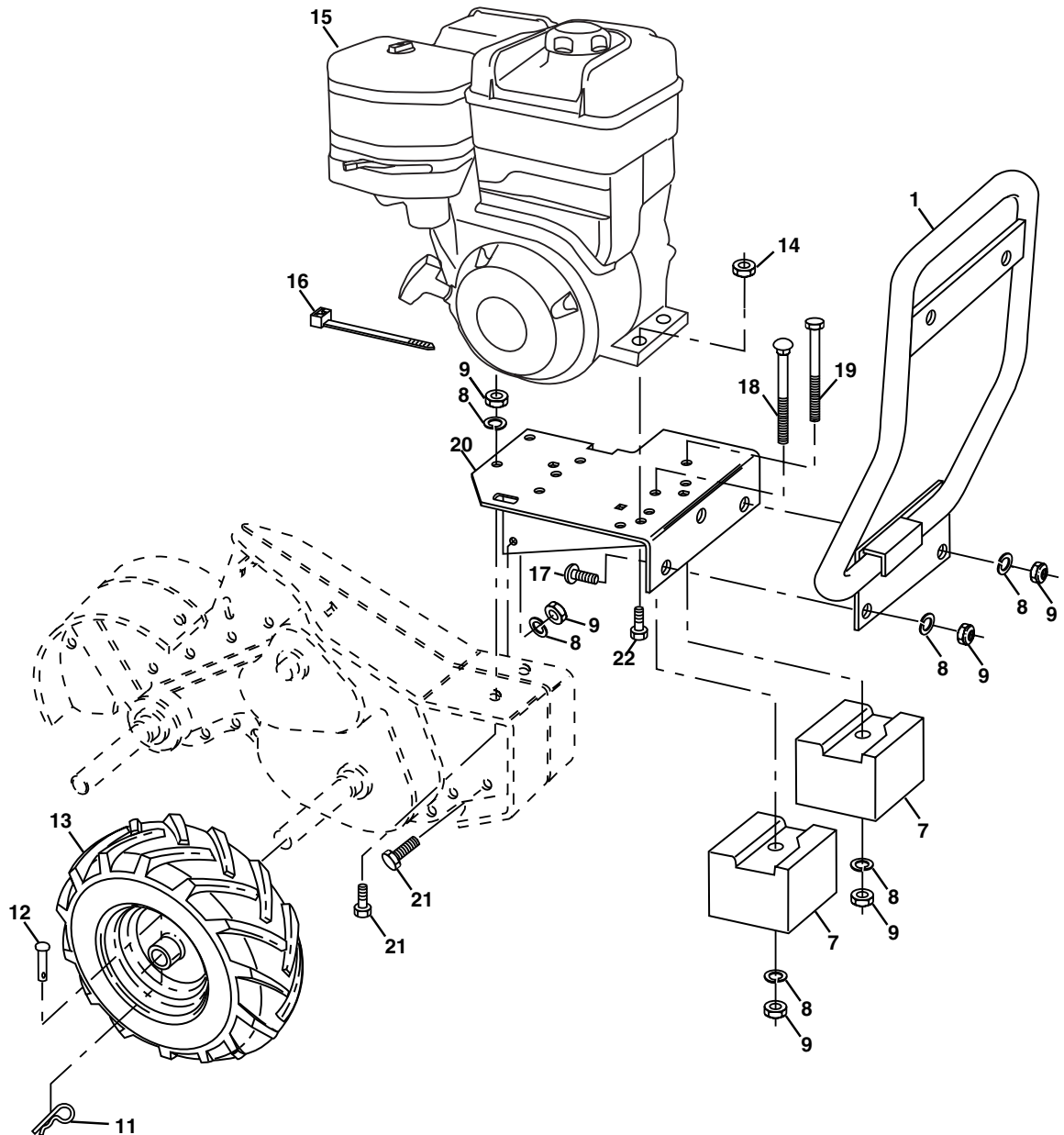
KEY NO.	PART NO.	DESCRIPTION
2	8100406-00	Washer, Lock 3/8
3	8732206-00	Nut, Hex 3/8-16
4	<b>532 18 00-46</b>	Shield, Inner Belt Guard RT
5	532 1547-34	Screw, Shift Lever
6	532 1101-11	Lever, Shift
7	872 1104-04	Bolt, Carriage 1/4-20 x 1/2 Gr. 5
8	5320087-00	Plate, Shift Indicator
9	5320867-77	Screw, Hex, Washer Head, Slotted #10-24 x 1/2
10	5320094-84	Clip
11	8100404-00	Washer, Lock 1/4
12	8732204-00	Nut, Hex 1/4-20
13	8232305-06	Screw, Set, Hex 5/16-18 x 3/8
14	532 1561-17	Spacer, Split 0.327 x 0.42 x 1.220
15	8191111-16	Washer 11/32 x 11/16 x 16 Ga.
16	532 1451-02	Sheave, Transmission
17	8732205-00	Screw Hex 5/16-18
18	532 1316-91	Spacer Split
19	8120000-28	Ring, Retainer
23	5320050-15	Tire
	532 1243-66	Rim
	532 1247-18	Tire Valve
24	532 1268-75	Rivet, Drilled
25	5320049-29	Clip, Hairpin
26	<b>532 18 11-64</b>	Guard, Belt

KEY NO.	PART NO.	DESCRIPTION
27	532 1383-99	Belt, V
28	532 1046-79	Pulley, Idler
29	8120000-32	Ring, Klip
30	532 1592-29	Bracket, Idler
32	532 1394-01	Shaft, Idler Arm
37	5320043-68	Sheave, Engine
39	532 1400-62	Cap Plunger
42	532 1061-60	O-Ring
43	5320691-80	Nut, Lock #10-24
47	5320049-14	Key
54	532 1042-14	Nut 5/16-18
62	8749305-72	Bolt Hex 5/16-18 x 4-1/2
63	<b>532 17 57-97</b>	Bracket Asm Guard
64	<b>874 77 05-08</b>	Bolt Fin 5/16-24 Unf x 1/2
65	<b>819 11 12-14</b>	Washer 11/32 x 3/4 x 14

**NOTE:** All component dimensions given in U.S. inches.  
1 inch = 25.4 mm

# REPAIR PARTS

TILLER - - MODEL NUMBER CRT81 (HFCRT8F) PRODUCT NUMBER 954 17 00-54  
MAINFRAME, RIGHT SIDE



KEY NO.	PART NO.	DESCRIPTION
1	532 17 56-24	Bumper
2	<del>873 97 05-00</del>	<del>Nut, Lock Hex Flange</del>
4	<del>874 76 05-28</del>	<del>Bolt Hex Hd 5/16-18 x 3/4</del>
5	<del>532 17 98-23</del>	<del>Bracket, Reinforcement</del>
6	<del>874 76 06-16</del>	<del>Bolt, Hex 5/16-18 x 2</del>
7	532 18 02-75	Counter Weight, R.H.
8	810 04 06-00	Washer, Lock 3/8
9	873 22 06-00	Nut, Hex 3/8-16
10	<del>874 14 06-08</del>	<del>Bolt, Hex 5/16-18 x 1-1/2</del>
11	532 12 49-61	Clip, Hairpin
12	532 00 49-29	Rivet, Drilled

KEY NO.	PART NO.	DESCRIPTION
13	532 00 50-15	Tire
	532 12 43-66	Rim
	532 12 47-18	Tire Valve
18 14	872 47 06-36	Bolt 3/8-16 x 4-1/2
19 15	874 76 06-72	Bolt Hex 3/8-16 x 4-1/2
16	532 10 41-64	Tie Cable
15 17	-----	Engine, Briggs Model No. 205412 (Order parts from Engine Manufacturer)

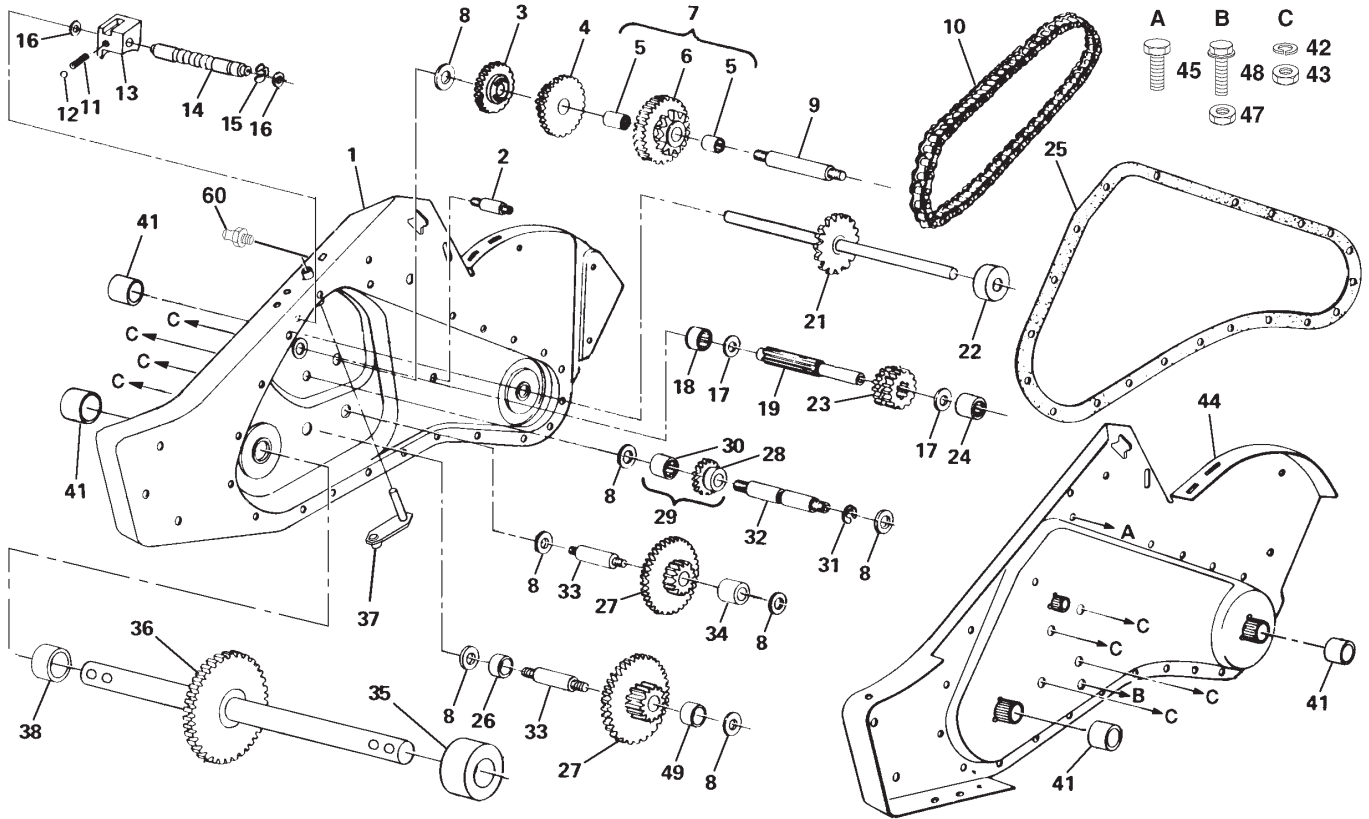
**NOTE:** All component dimensions given in U.S.inches.  
1 inch = 25.4 mm

**Correction:**

Key	Part	Description
4	14	873 97 05-00 Nut, Lock Hex Flange
	17	872 14 06-08 Bolt, Hex 5/16-18 x 1-1/2
	20	532 17 98-23 Bracket, Reinforcement
	21	874 76 06-16 Bolt, Hex 5/16-18 x 2
	22	874 76 05-28 Bolt Hex Hd 5/16-18 x 3/4

# REPAIR PARTS

TILLER -- MODEL NUMBER CRT81 (HFCRT8F) PRODUCT NUMBER 954 17 00-54  
TRANSMISSION

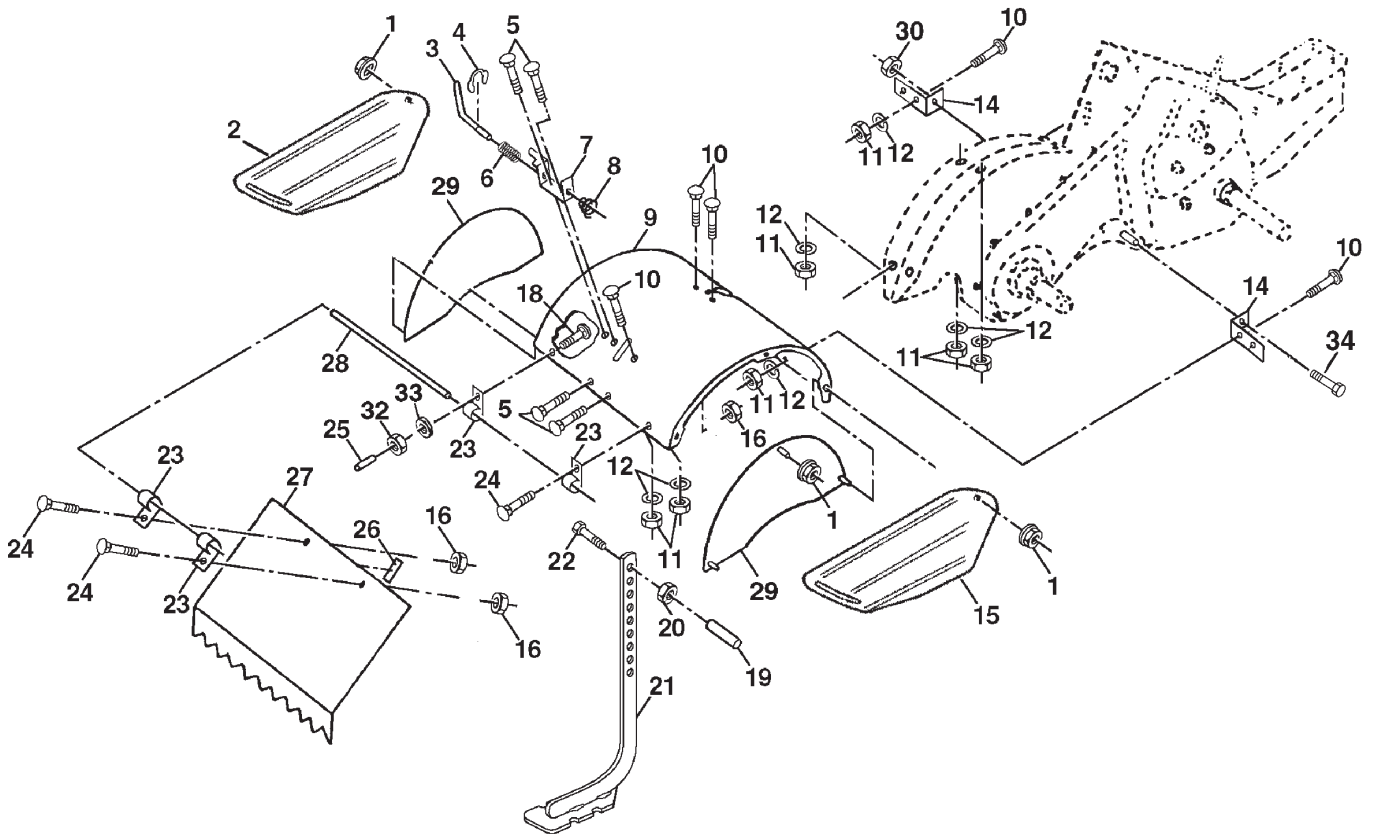


KEY NO.	PART NO.	DESCRIPTION	KEY NO.	PART NO.	DESCRIPTION
--	<b>532 18 13-37</b>	Transmission Assembly	27	532 10 04-33	Gear Cluster
1	<b>532 18 13-32</b>	Gearcase, R.H. w/Bearing (Includes Key No. 18)	28	532 00 83-57	Gear, Reverse Idler
2	<b>532 18 13-62</b>	Spacer Gearcase	29	532 14 45-62	Gear, Assembly, Reverse Idler (Includes Key Nos. 28 and 30)
3	532 17 50-35	Gear Reverse	30	532 00 68-03	Bearing, Needle
4	532 10 53-45	Gear, Cluster, Red 1st & 2nd	31	812 00 00-40	Ring, Klip
5	532 10 04-13	Bearing, Needle	32	532 00 83-56	Shaft, Reverse Idler
6	532 14 45-64	Sprocket and Tine Assembly	33	532 10 00-16	Shaft, Reduction (2nd)
7	532 14 45-63	Sprocket Assembly w/Bearing (Includes Key No. 5)	34	532 10 63-92	Spacer 0,765 I.D. x 1-1/8 x 1-3/8
8	532 00 43-58	Washer	35	532 10 63-94	Spacer LH
9	532 00 83-58	Shaft, Reduction (1st)	36	532 10 04-36	Shaft Assembly
10	532 00 83-71	Chain, Roller	37	532 14 21-45	Bracket, Asm.
11	532 10 03-71	Spring, Shift, Fork	38	532 10 63-93	Spacer RH
12	532 12 46-97	Ball, Steel	41	532 15 52-36	Seal, Asm Oil
13	532 00 83-53	Fork, Shift	42	810 04 07-00	Push Nut 7/16
14	532 17 53-72	Shaft, Reduction	43	873 61 07-00	Nut, Hex 7/16-20
15	812 00 00-39	Ring, Klip	44	<b>532 18 13-23</b>	Gearcase, L.H. w/Bearing (Includes Key No. 24)
16	532 15 44-67	Washer, Seal	45	817 72 05-10	Thread Cutting Screw 5/16-18 x 5/8
17	532 00 13-70	Washer, Thrust 5/8 ID	47	873 22 05-00	Nut, Hex 5/16-18
18	532 12 47-92	Bearing, Needle	48	532 10 01-07	Screw 5/16-18 x 4
19	532 15 06-95	Shaft Input	49	532 10 63-91	Spacer 0.765 ID x 1.12 x 3/4
21	532 10 53-78	Tine Shaft Assembly	60	532 12 48-36	Fitting, Grease
22	532 10 61-81	Spacer 1,008 x 1-3/4 x 0,645	--	532 00 60-66	Grease, Plastilube #1
23	532 17 50-31	Pinion, Input	--	532 16 21-70	Bearing Assembly
24	532 00 50-20	Bearing, Needle			
25	532 16 43-96	Gasket, Gearcase			
26	532 10 63-89	Spacer 0,765 I.D. x 1,12 x 5/8			

**NOTE:** All component dimensions given in U.S. inches.  
1 inch = 25.4 mm

# REPAIR PARTS

TILLER -- MODEL NUMBER CRT81 (HFCRT8F) PRODUCT NUMBER 954 17 00-54  
TINE SHIELD



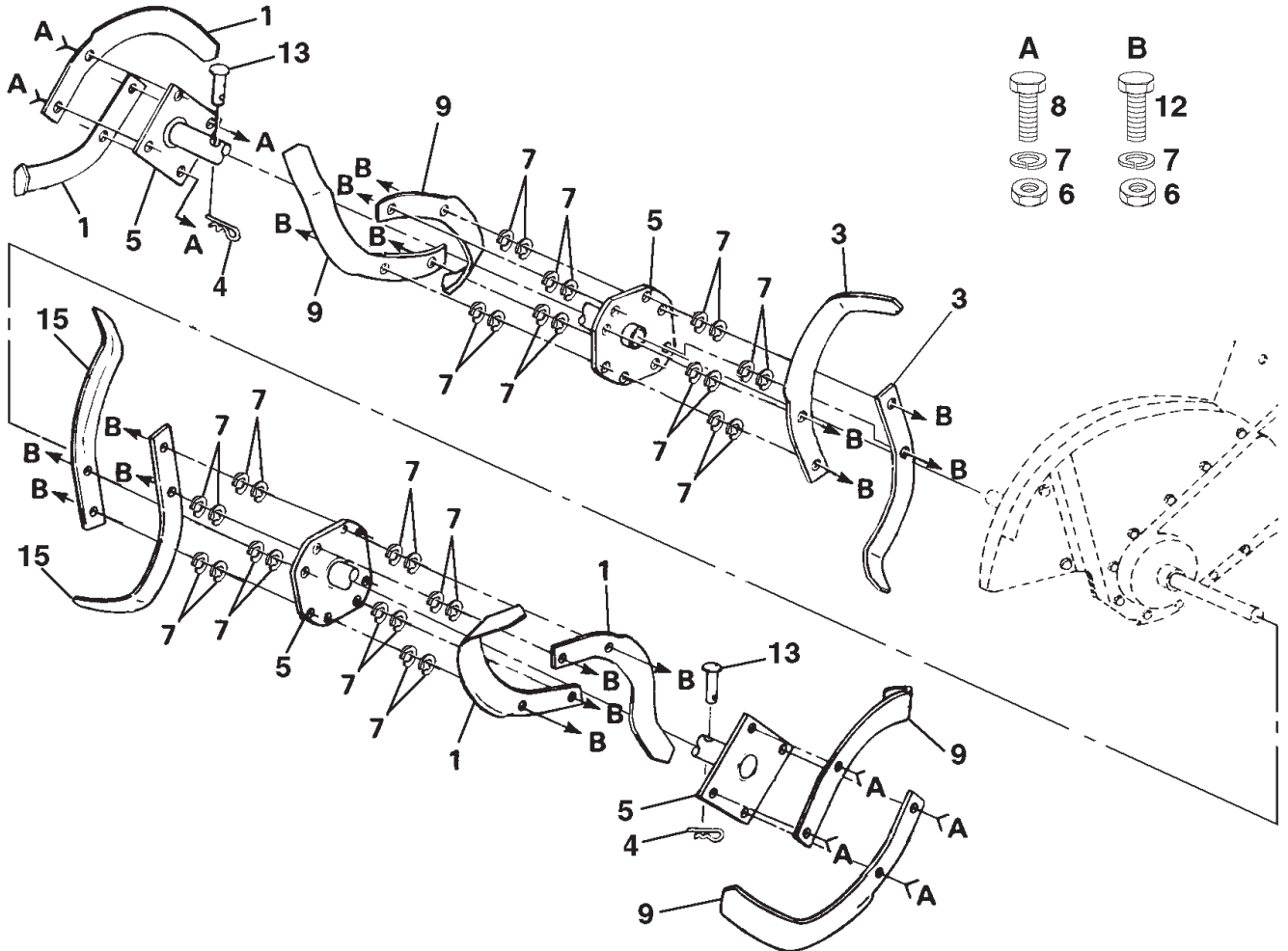
KEY NO.	PART NO.	DESCRIPTION
1	873 90 05-00	Nut, Lock Hex Flange 5/16-18
2	532 16 35-60	Shield, Side, Outer L. H.
3	532 00 83-93	Pin, Stake, Depth
4	<b>812 00 00-35</b>	Ring, Klip
5	872 14 05-08	Bolt, Carriage 5/16-18 Unc x 1
6	532 00 83-94	Spring
7	532 00 83-92	Bracket, Latch
8	532 10 92-30	Spring, Depth Stake
9	532 17 16-16	Shield, Tine
10	872 14 05-06	Bolt, Carriage 5/16-18 x 3/4 Gr. 5
11	873 22 05-00	Nut, Hex 5/16-18
12	810 04 05-00	Washer, Lock 5/16
14	532 12 43-43	Bracket, Shield Tine
15	532 16 35-61	Shield, Side, Outer R.H.
16	873 90 04-00	Nut, Flange Hex 1/4-20 UNC
18	872 04 04-10	Bolt, Carriage 1/4-20 x 1-1/4 r. 5
19	532 10 27-01	Grip

KEY NO.	PART NO.	DESCRIPTION
20	873 22 06-00	Nut, Hex 3/8-16
21	532 13 84-20	Stake, Depth
22	874 93 06-32	Bolt, Hex 3/8-16 x 2
23	532 00 44-40	Hinge
24	872 14 04-04	Bolt, Carriage 1/4-20 x 1/2 Gr.
25	532 12 47-17	Cap, Vinyl
26	532 10 92-27	Pad, Idler
27	532 14 55-20	Shield, Leveling
28	532 13 86-09	Pin, Hinge
29	532 14 55-21	Shield, Side
30	873 97 05-00	Nut, Lock Hx Flange
32	873 22 04-00	Nut, Fin, Hex 1/4-20 UNC
33	810 04 04-00	Washer, Lock Hvy Helical 1/4
34	<b>874 49 05-36</b>	Bolt Hex Flghd 5/16-18 x 2-1/4

**NOTE:** All component dimensions given in U.S. inches.  
1 inch = 25.4 mm

# REPAIR PARTS

TILLER -- MODEL NUMBER CRT81 (HFCRT8F) PRODUCT NUMBER 954 17 00-54  
TINE ASSEMBLY



KEY NO.	PART NO.	DESCRIPTION
1	532 00 65-56	Tine, Outer, L.H.
3	532 10 11-94	Tine, Inner, L.H.
4	532 12 46-60	Retainer, Spring Zinc
5	532 10 04-45	Assembly, Hub and Plate
6	873 61 06-00	Nut, Hex 3/8-24
7	810 04 06-00	Washer, Lock 3/8

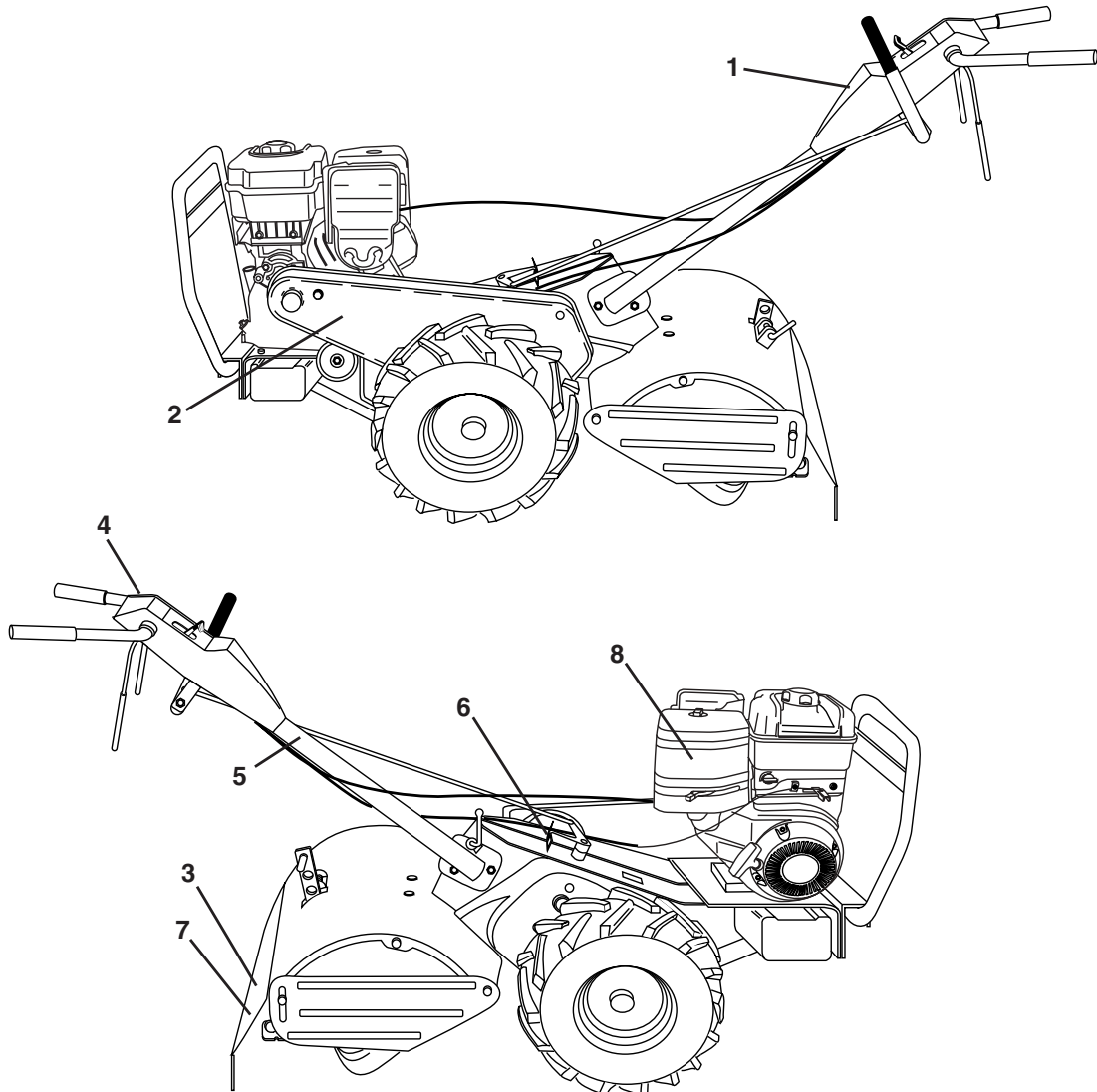
KEY NO.	PART NO.	DESCRIPTION
8	874 61 06-16	Bolt, Hex 3/8-24 x 1
9	532 00 65-57	Tine, Outer, R.H.
12	874 61 06-24	Bolt H 3/8-24 x 1-1/2
13	532 00 49-29	Clevis Pin
15	532 10 11-93	Tine R.H.

**NOTE:** All component dimensions given in U.S. inches.  
1 inch = 25.4 mm



# REPAIR PARTS

TILLER -- MODEL NUMBER CRT81 (HFCRT8F) PRODUCT NUMBER 954 17 00-54  
DECALS



KEY NO.	PART NO.	DESCRIPTION
1	532 15 54-49	Decal, Logo
2	532 15 65-35	Decal, Logo
3	532 14 54-37	Decal, Europe Stand CE
4	<b>532 18 08-29</b>	Decal, Instruction, Tilling
5	532 15 98-77	Decal, Hand Placement
6	532 13 85-46	Decal, Shift Indicator
7	532 17 65-57	Decal, Warning, 4-Sym
8	<b>532 17 66-84</b>	Decal, Air Cleaner
--	<b>532 18 05-38</b>	Manual, Operator's (Euro.)